

ERF4053, 2.4 GHz antenna, U.FL connector

Features

Electrical Properties

| Parameter: | Description |
|--------------------|-----------------------------------|
| Frequency Band: | 2400 ~ 2480 MHz / 4900 ~ 5825 MHz |
| Nominal Impedance: | 50 Ω |
| Polarization: | Linear |
| V.S.W.R: | < 2.0 |
| Gain: | 2 ~ 3 dBi |



Mechanical Properties

| Parameter: | Description |
|------------------------------|------------------|
| Antenna Type: | Internal Antenna |
| Connector Type: | U.FL |
| Antenna Dimensions: | 15 * 60 * 0.6 mm |
| Cable Length: | 10 cm ± 0.5 |
| Operating Temperature Range: | -40°C~+85°C |
| Storage Temperature Range: | -40°C~+85°C |

Typical applications

- Wi-Fi
- M2M applications
- Bluetooth
- Zigbee

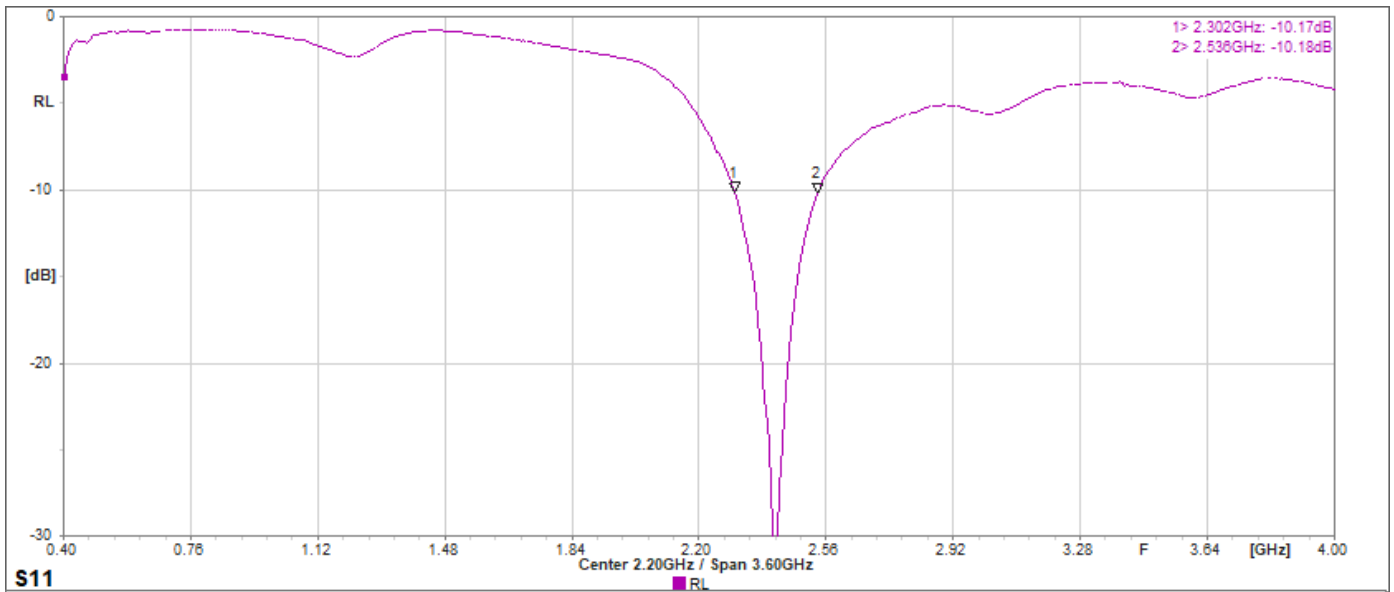
Description

The ERF4053 antenna is internal 2.4 GHz antenna with an U.FL connector. The antenna can also be used in the frequency range of 2400 ~ 2480 MHz / 4900 ~ 5825 MHz. The antenna can be used for applications such as, M2M, Wi-Fi, Bluetooth and Zigbee.

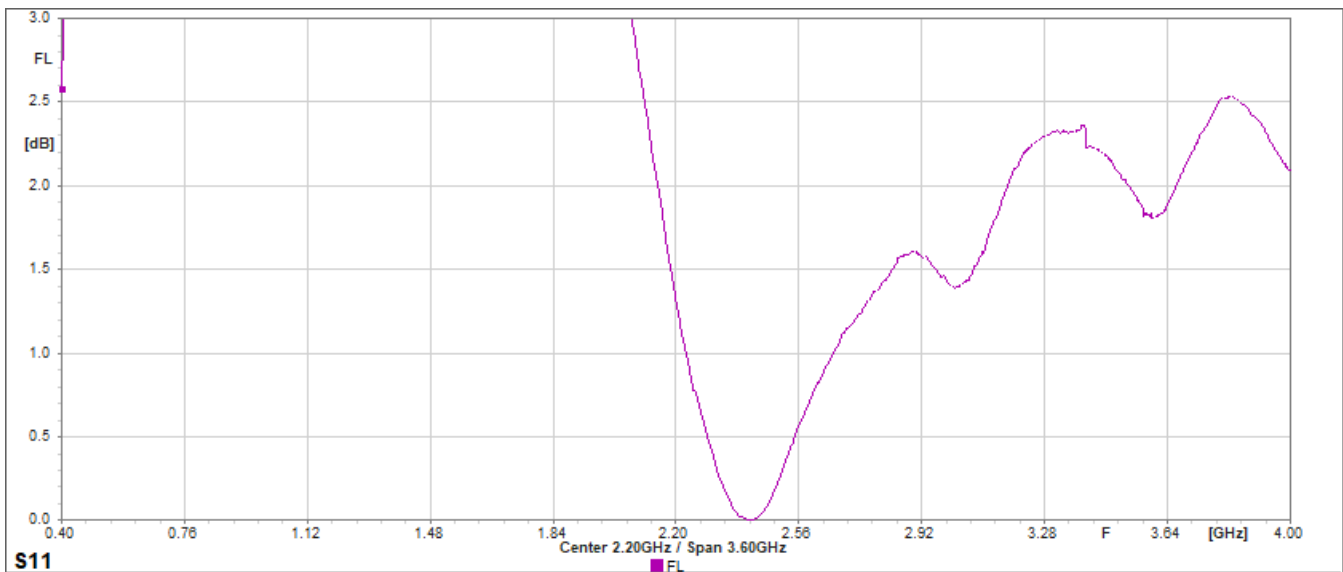
ERF4053, 2.4 GHz antenna, U.FL connector

Antenna Properties

Return Loss

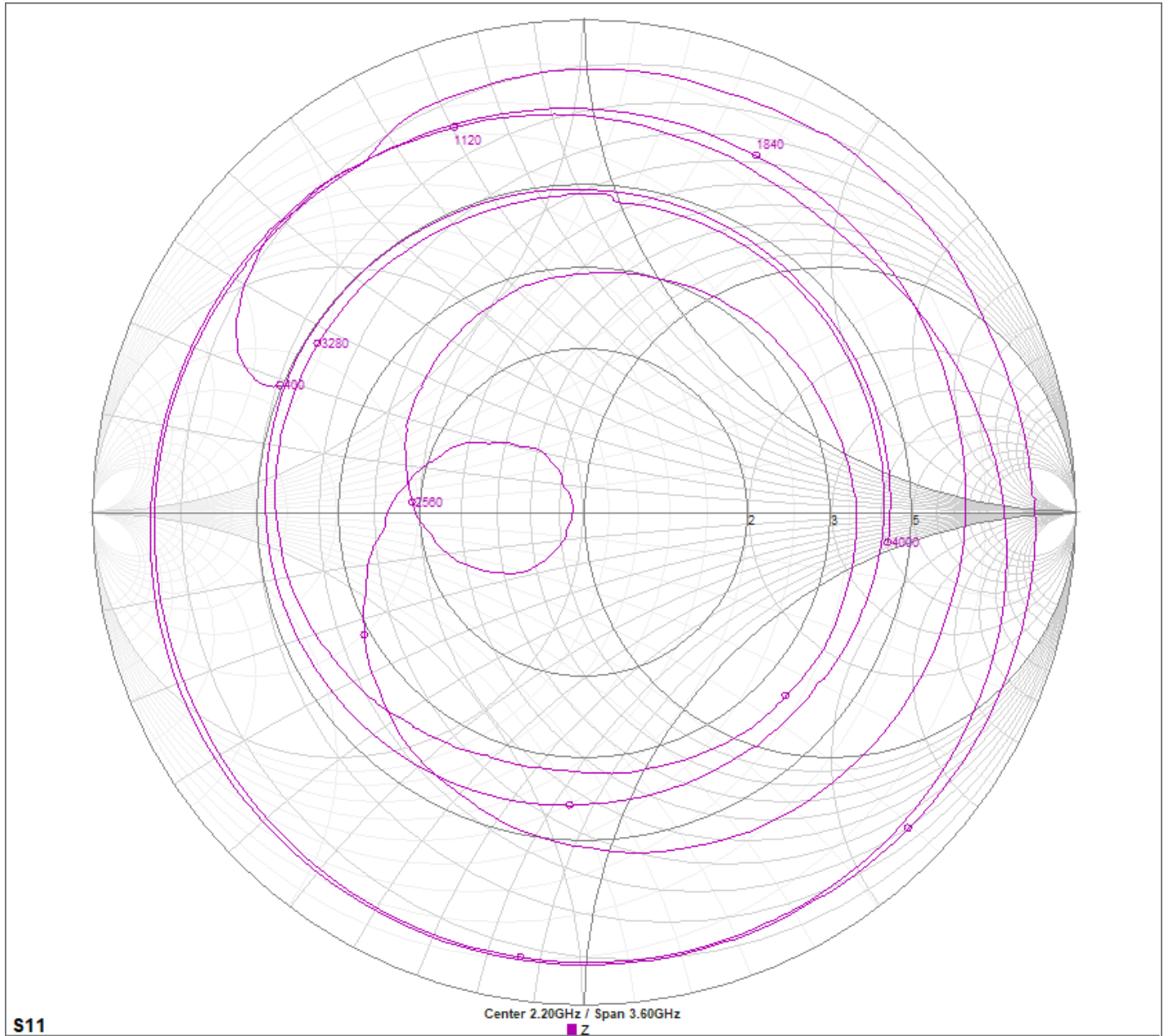


Forward Loss

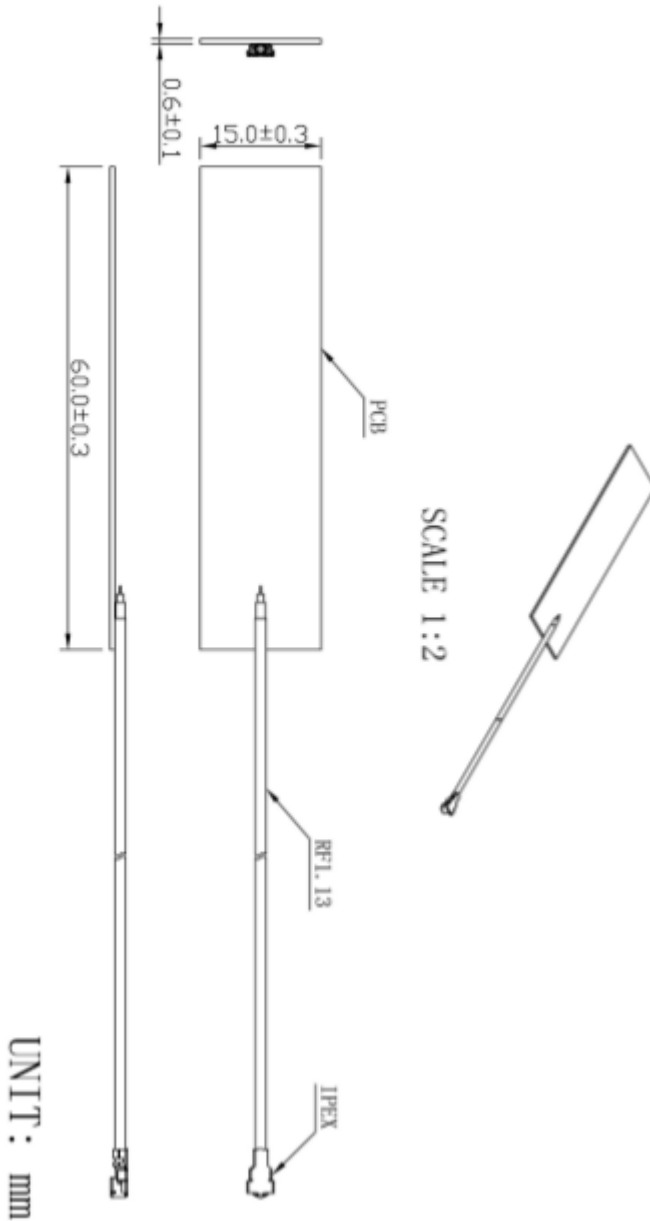


ERF4053, 2.4 GHz antenna, U.FL connector

Impedance



Dimensions





ERF4053, 2.4 GHz antenna, U.FL connector

Connector

The ERF4053 antenna uses an U.FL connector.

Ordering information

Ordering can be done via www.summit-electronics.com or via info@summit-electronics.com. Please contact us for more information. Customisation of the product is available on request.

Technical support

For all product questions please contact us via info@summit-electronics.com